

PowerFlex 750-Series EMC Cores - Frames 1...5

Catalog Numbers 20F and 20G

Frames 1...5 (200...240/400...480V AC)

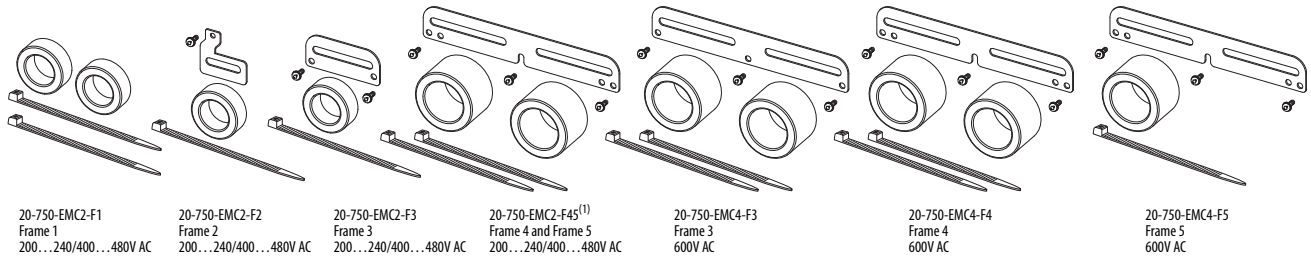
Frames 3...5 (600V AC)

Topic	Page
Summary of Changes	1
200...240/400...480V AC Input Drives – Frames 1...5	3
600V AC Input Drives – Frames 3...5	7

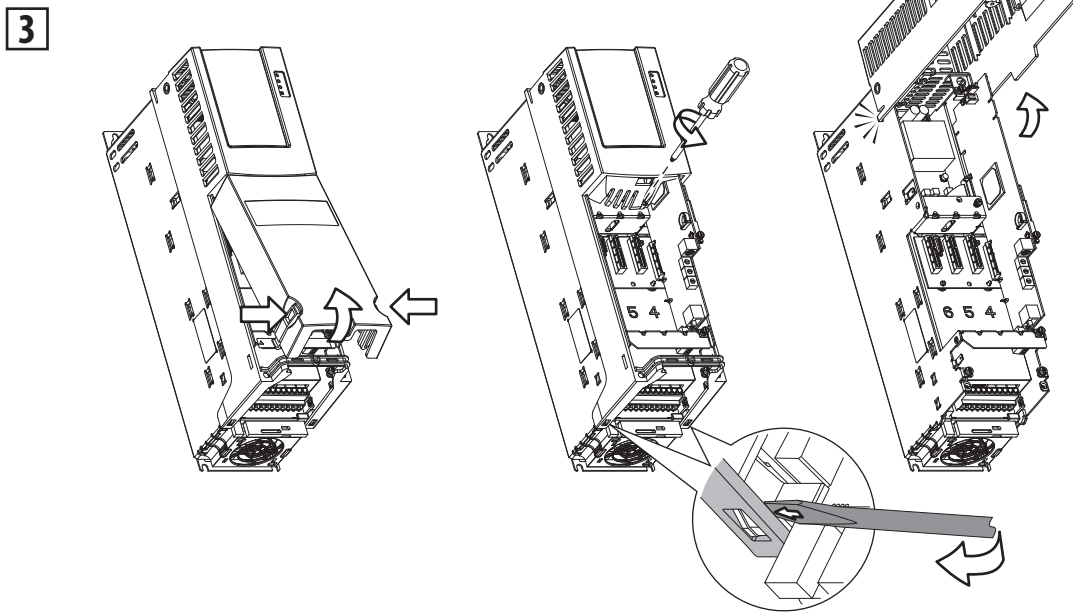
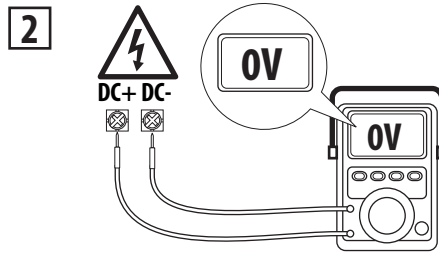
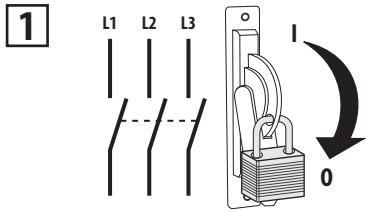
Summary of Changes

This publication contains new and updated information as indicated in the following table.

Topic	Page
Added Frames 1...5 (200...240V AC)	Throughout



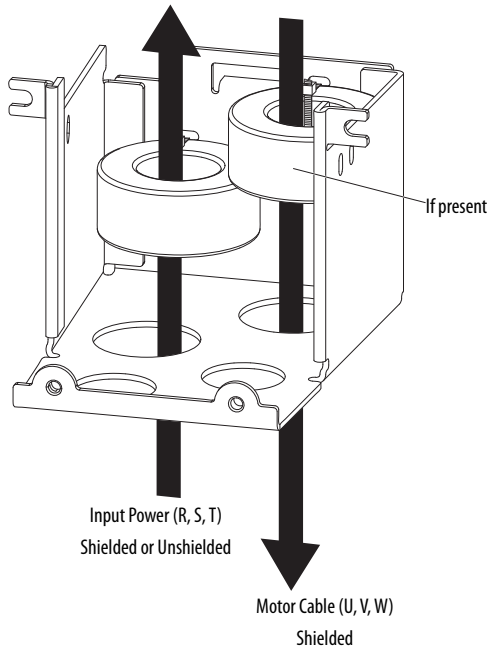
(1) Frames 6 and Frame 7, 200...240/400...480V AC drives do not require EMC cores to meet EMC requirements.



4

Typical Installation

The ground/shield **must not** pass through the core.



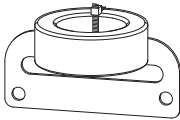
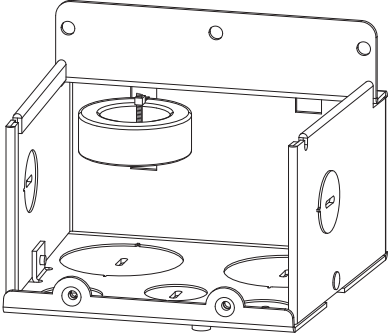


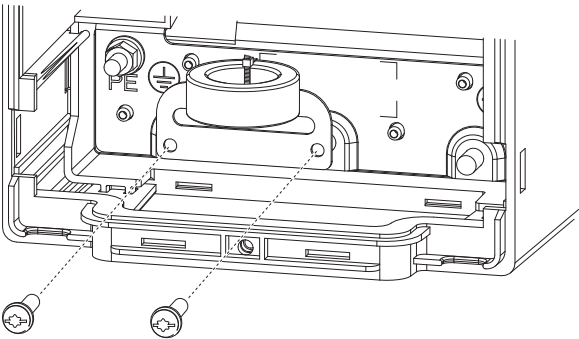


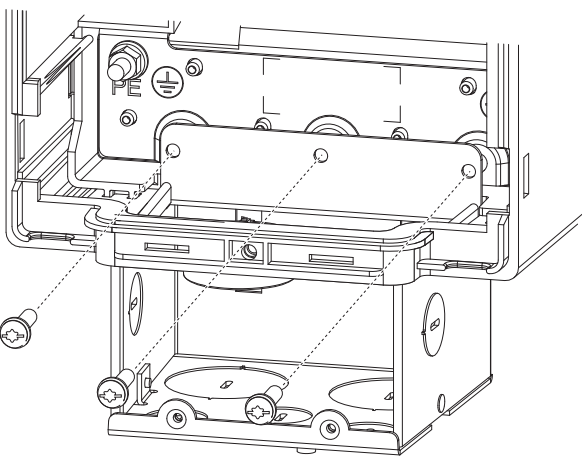
5

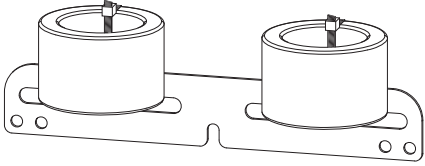
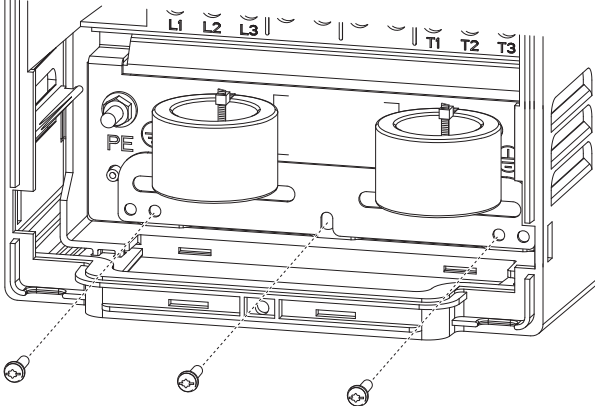
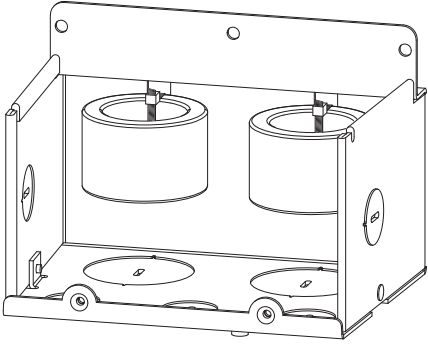
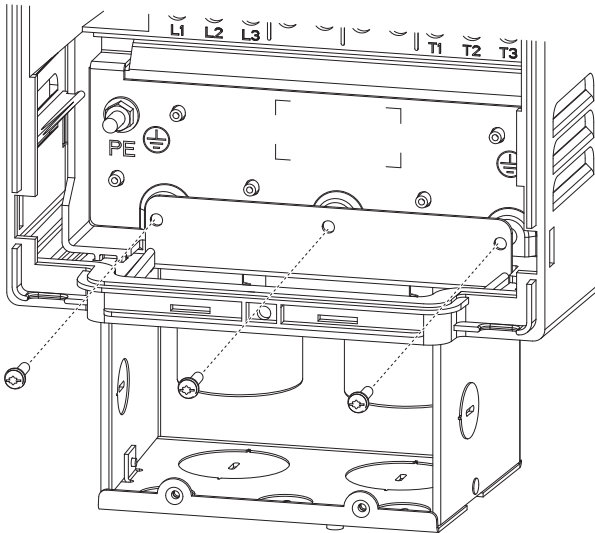
200...240/400...480V AC— see below
600V AC – see [page 7](#)

200...240/400...480V AC Input Drives – Frames 1...5

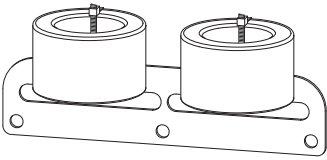
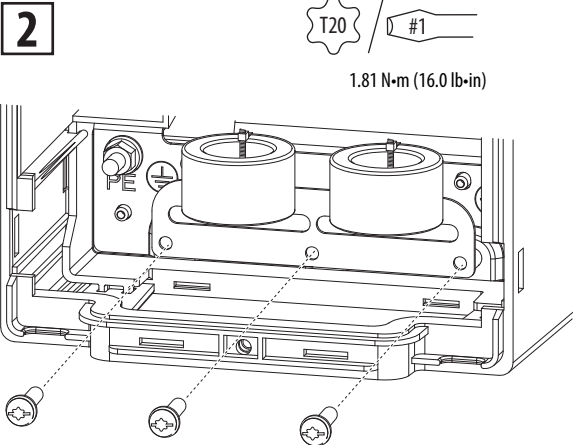
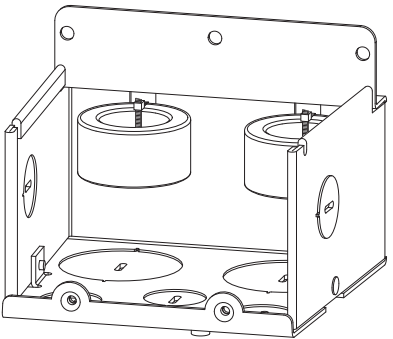
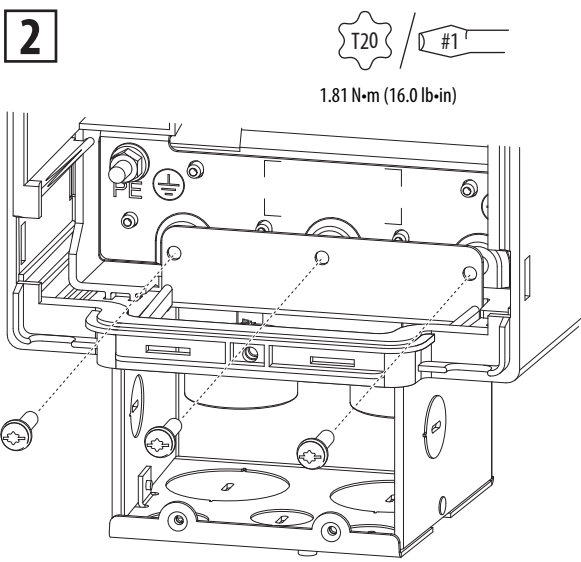
Frame	NEMA/UL Type 1
1	<div style="display: flex; justify-content: space-around;"> <div style="text-align: center;"> <p>1</p> </div> <div style="text-align: center;"> <p>2</p> <p>T20 / #1</p> <p>1.81 N·m (16.0 lb-in)</p> </div> </div>

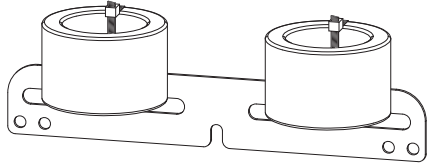
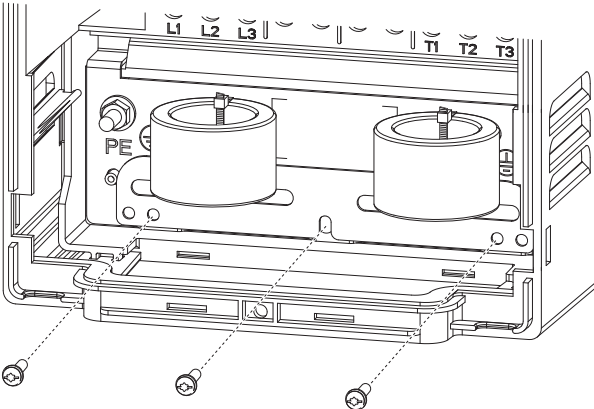
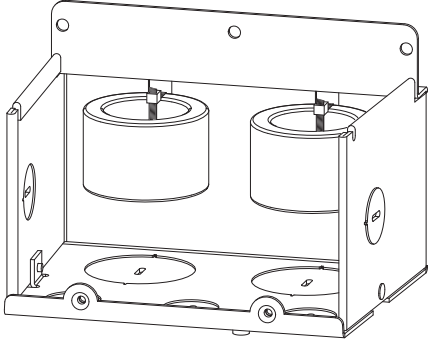
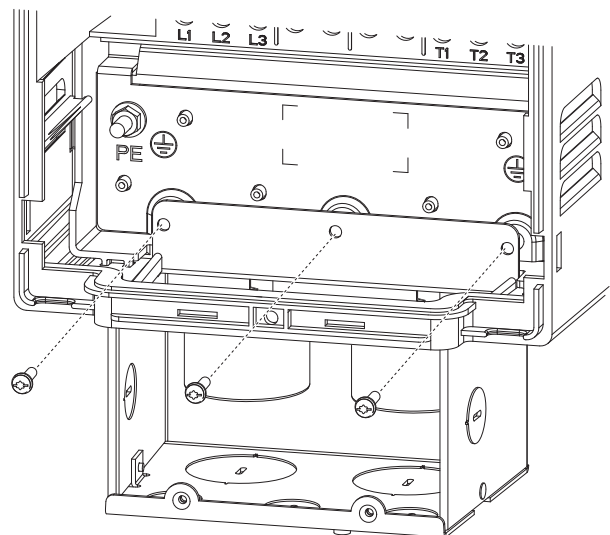
Frame	NEMA/UL Open Type	NEMA/UL Type 1
2	<div data-bbox="237 275 289 323"> <p>1</p> </div> <div data-bbox="435 415 607 613"> </div> <div data-bbox="237 793 289 842"> <p>2</p> </div> <div data-bbox="594 764 769 827"> </div> <div data-bbox="574 842 721 869"> <p>1.81 N·m (16.0 lb·in)</p> </div> <div data-bbox="237 919 824 1255"> </div>	<div data-bbox="857 275 909 323"> <p>1</p> </div> <div data-bbox="841 432 980 459"> <p>1.81 N·m (16.0 lb·in)</p> </div> <div data-bbox="971 275 1393 730"> </div> <div data-bbox="857 793 909 842"> <p>2</p> </div> <div data-bbox="1224 785 1399 848"> </div> <div data-bbox="1208 863 1354 890"> <p>1.81 N·m (16.0 lb·in)</p> </div> <div data-bbox="880 905 1435 1409"> </div>

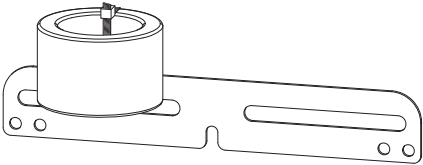
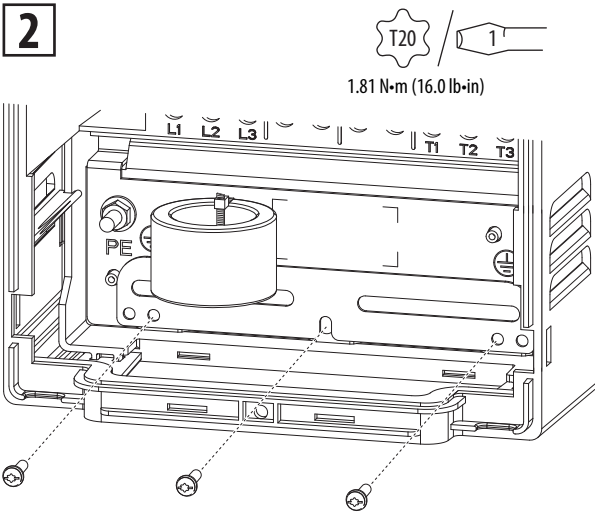
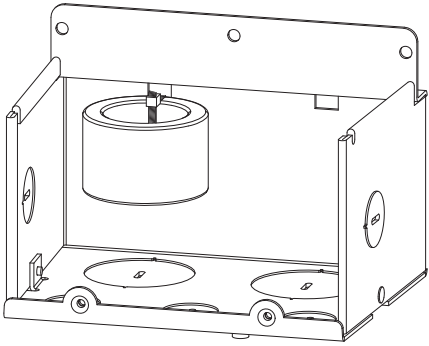
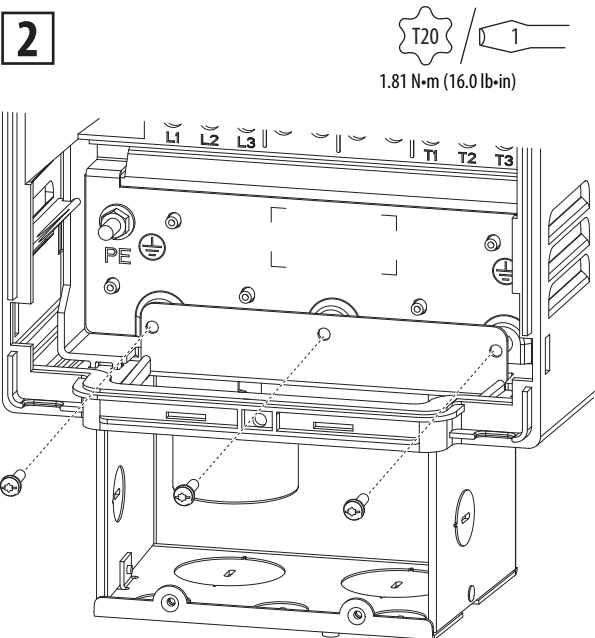
Frame	NEMA/UL Open Type	NEMA/UL Type 1
3	<div data-bbox="240 247 295 302" style="border: 1px solid black; padding: 2px; display: inline-block; width: 20px; height: 20px; text-align: center; line-height: 20px;">1</div> 	<div data-bbox="867 247 922 302" style="border: 1px solid black; padding: 2px; display: inline-block; width: 20px; height: 20px; text-align: center; line-height: 20px;">1</div> 
	<div data-bbox="240 772 295 827" style="border: 1px solid black; padding: 2px; display: inline-block; width: 20px; height: 20px; text-align: center; line-height: 20px;">2</div> <div data-bbox="516 743 688 806" style="text-align: center;">  /  </div> <div data-bbox="493 827 639 856" style="text-align: center;"> <p>1.81 N·m (16.0 lb·in)</p> </div> 	<div data-bbox="867 772 922 827" style="border: 1px solid black; padding: 2px; display: inline-block; width: 20px; height: 20px; text-align: center; line-height: 20px;">2</div> <div data-bbox="1198 772 1370 835" style="text-align: center;">  /  </div> <div data-bbox="1273 840 1419 869" style="text-align: center;"> <p>1.81 N·m (16.0 lb·in)</p> </div> 

Frame	NEMA/UL Open Type	NEMA/UL Type 1
4...5	<p data-bbox="240 254 289 306">1</p>  <p data-bbox="240 768 289 821">2</p>  <p data-bbox="607 772 776 831">T20 / #1</p> <p data-bbox="678 842 808 863">1.81N·m (16.0lb·in)</p>	<p data-bbox="862 254 911 306">1</p>  <p data-bbox="862 768 911 821">2</p>  <p data-bbox="1252 772 1421 831">T20 / #1</p> <p data-bbox="1230 835 1377 856">1.81 N·m (16.0 lb·in)</p>

600V AC Input Drives – Frames 3...5

Frame	NEMA/UL Open Type	NEMA/UL Type 1
3	<p>1</p>  <p>2</p>  <p>T20 / #1 1.81 N·m (16.0 lb·in)</p>	<p>1</p>  <p>2</p>  <p>T20 / #1 1.81 N·m (16.0 lb·in)</p>

Frame	NEMA/UL Open Type	NEMA/UL Type 1
4	<p data-bbox="228 247 282 302">1</p>  <p data-bbox="228 764 282 819">2</p>  <p data-bbox="597 772 769 827">T20 / #1</p> <p data-bbox="574 842 716 863">1.81 N·m (16.0 lb·in)</p>	<p data-bbox="849 247 902 302">1</p>  <p data-bbox="849 764 902 819">2</p>  <p data-bbox="1252 772 1424 827">T20 / #1</p> <p data-bbox="1213 842 1354 863">1.81 N·m (16.0 lb·in)</p>

Frame	NEMA/UL Open Type	NEMA/UL Type 1
5	<p data-bbox="237 247 289 302">1</p>  <p data-bbox="237 764 289 819">2</p>  <p data-bbox="574 772 776 861">T20 / 1' 1.81 N·m (16.0 lb·in)</p>	<p data-bbox="859 247 911 302">1</p>  <p data-bbox="859 764 911 819">2</p>  <p data-bbox="1229 772 1430 861">T20 / 1' 1.81 N·m (16.0 lb·in)</p>

Rockwell Automation Support

Use the following resources to access support information.

Technical Support Center	Knowledgebase Articles, How-to Videos, FAQs, Chat, User Forums, and Product Notification Updates.	https://rockwellautomation.custhelp.com/
Local Technical Support Phone Numbers	Locate the phone number for your country.	http://www.rockwellautomation.com/global/support/get-support-now.page
Direct Dial Codes	Find the Direct Dial Code for your product. Use the code to route your call directly to a technical support engineer.	http://www.rockwellautomation.com/global/support/direct-dial.page
Literature Library	Installation Instructions, Manuals, Brochures, and Technical Data.	http://www.rockwellautomation.com/global/literature-library/overview.page
Product Compatibility and Download Center (PCDC)	Get help determining how products interact, check features and capabilities, and find associated firmware.	http://www.rockwellautomation.com/global/support/pcdc.page

Documentation Feedback

Your comments help us serve your documentation needs better. If you have any suggestions on how to improve this document, complete the How Are We Doing? form at http://literature.rockwellautomation.com/idc/groups/literature/documents/du/ra-du002_-en-e.pdf.

Rockwell Automation maintains current product environmental information on its website at <http://www.rockwellautomation.com/rockwellautomation/about-us/sustainability-ethics/product-environmental-compliance.page>.

Allen-Bradley, PowerFlex, Rockwell Automation, and Rockwell Software are trademarks of Rockwell Automation, Inc. Trademarks not belonging to Rockwell Automation are property of their respective companies.

Rockwell Otomasyon Ticaret A.Ş., Kar Plaza İş Merkezi E Blok Kat:6 34752 İçerenköy, İstanbul, Tel: +90 (216) 5698400

www.rockwellautomation.com

Power, Control and Information Solutions Headquarters

Americas: Rockwell Automation, 1201 South Second Street, Milwaukee, WI 53204-2496 USA, Tel: (1) 414.382.2000, Fax: (1) 414.382.4444
Europe/Middle East/Africa: Rockwell Automation NV, Pegasus Park, De Kleetlaan 12a, 1831 Diegem, Belgium, Tel: (32) 2 663 0600, Fax: (32) 2 663 0640
Asia Pacific: Rockwell Automation, Level 14, Core F, Cyberport 3, 100 Cyberport Road, Hong Kong, Tel: (852) 2887 4788, Fax: (852) 2508 1846



PN-434032